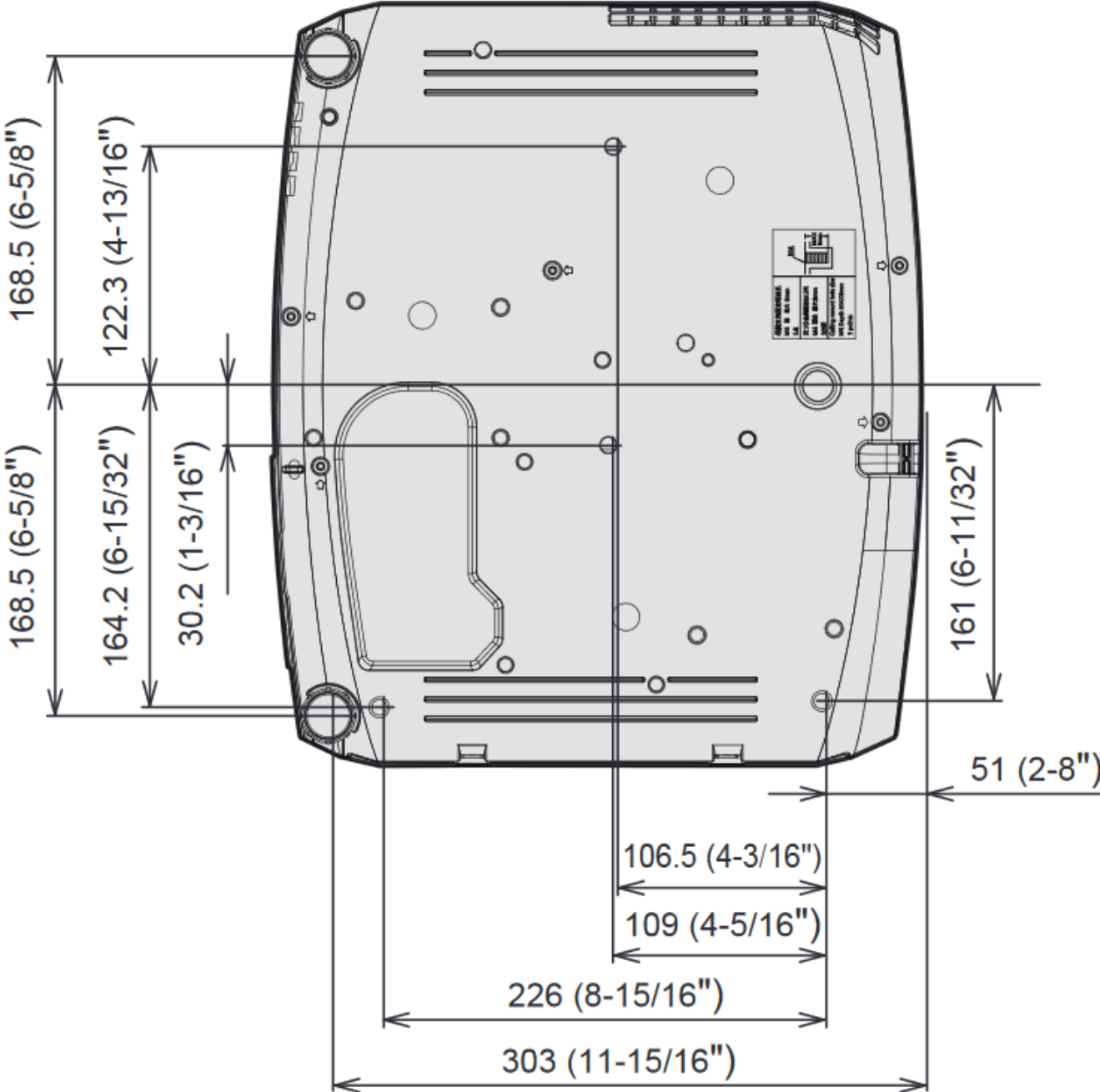


Projector type
PT-VW540

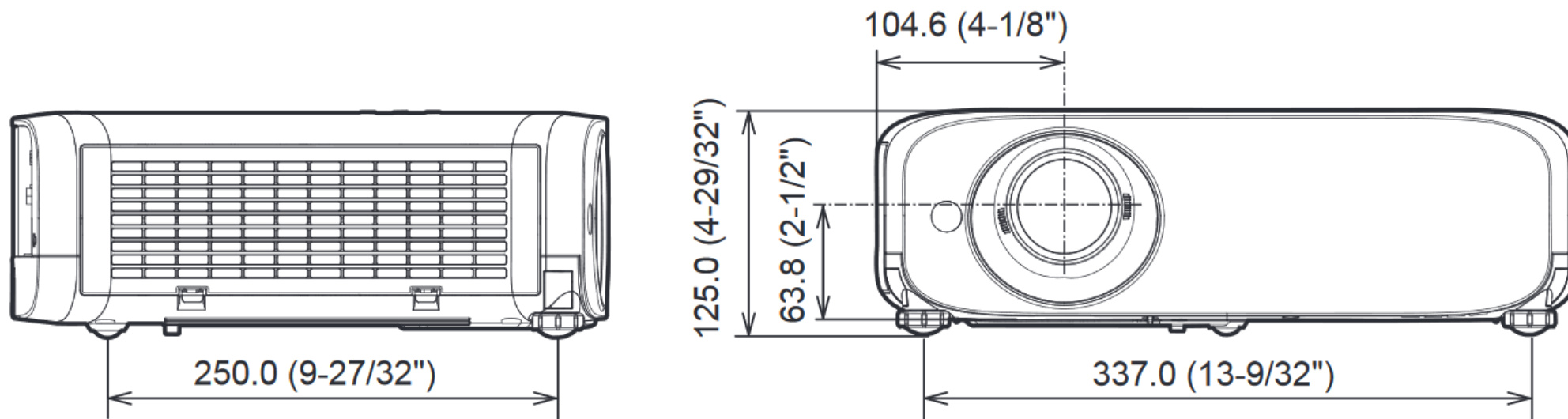
Lens

Maatvoering
beamer montage
aan plafond
Datum: 10 dec-2019
A.Reurich

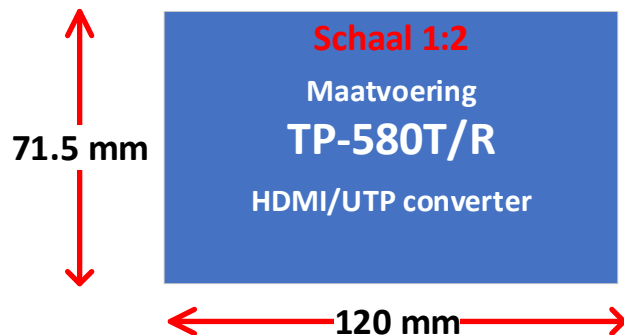
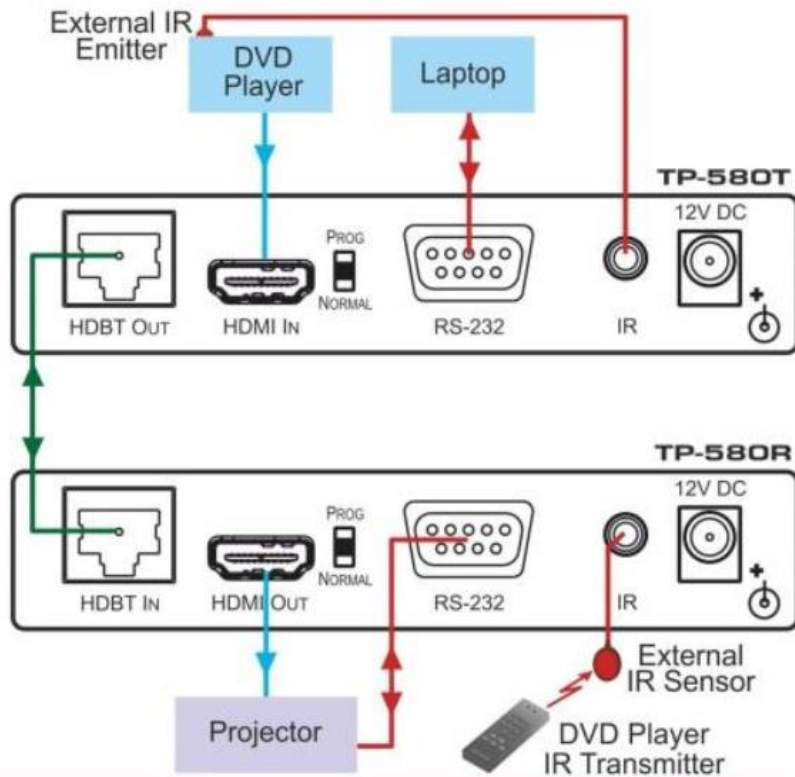
Schaal: geen



Schaal: geen



Power supply	120 V ~ (120 V alternating current), 50 Hz/60 Hz (For North America) 100 V - 240 V ~ (100 V - 240 V alternating current), 50 Hz/60 Hz (For other countries)	
Power consumption	PT-VZ580	400 W (3.8 A) for North America 410 W (4.7 A - 2.0 A) for other countries
	PT-VW540, PT-VX610	385 W (3.6 A) for North America 400 W (4.5 A - 2.0 A) for other countries
Power consumption (during standby)	When [STANDBY MODE] is set to [ECO]	approx. 0.3 W for North America approx. 0.5 W for other countries
	When [STANDBY MODE] is set to [NORMAL] and [IN STANDBY MODE] of [AUDIO SETTING] is set to [OFF]: approx. 8 W	



	TP-580T	TP-580R
INPUTS:	1 HDMI connector	1 RJ-45 connector
OUTPUTS:	1 RJ-45 connector	1 HDMI connector
PORTS:	1 IR on a 3.5mm mini jack (for emitter or sensor) 1 RS-232 on a 9-pin D-sub connector	1 IR on a 3.5mm mini jack (for emitter or sensor) 1 RS-232 on a 9-pin D-sub connector
MAX. DATA RATE:	Up to 10.2Gbps (3.4Gbps per graphic channel)	
RANGE:	70m (230ft) at 2K, 40m (130ft) at 4K UHD resolutions	
RS-232 BAUD RATE:	115200	
COMPLIANCE WITH HDMI STANDARD:	Supports HDMI and HDCP	
OPERATING TEMPERATURE:	0° to +40°C (32° to 104°F)	
STORAGE TEMPERATURE:	-40° to +70°C (-40° to 158°F)	
HUMIDITY:	10% to 90%, RHL non-condensing	
POWER CONSUMPTION:	12V DC, 275mA	12V DC, 430mA
DIMENSIONS:	12cm x 7.15cm x 2.44cm (4.7" x 2.8" x 1.0") W, D, H.	
WEIGHT:	0.2kg (0.44lbs)	
SHIPPING DIMENSIONS:	15.7cm x 12cm x 8.7cm (6.2" x 4.7" x 3.4") W, D, H.	
SHIPPING WEIGHT:	0.72kg (1.6lbs).	
INCLUDED ACCESSORIES:	2 Power supply units 12V/1.25A	
OPTIONS:	RK-3T 19" rack mount; Kramer external IR sensor (P/N: 95-0104050), Kramer IR emitter cable (P/N: C-A35/IRE-10); Kramer BC-HDKat6a cable	